



WARNING

- The notebook must be turned off and disconnected from its power source. Failure to disconnect the power from the notebook may result in personal injury.
- Remove all loose articles of clothing and jewelry before touching components inside the notebook.
- The case may contain sharp edges. Use caution.
- Ground yourself by touching the metal ports on the back of the notebook. If you are not properly grounded, you could generate static electricity that may cause a component to fail.
- Make sure your hands are dry before performing this task.

Tools Required:
Phillips Head Screwdriver

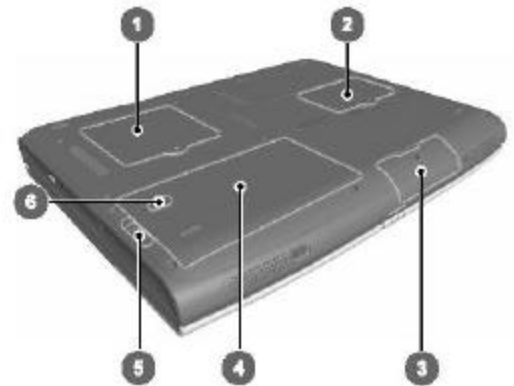


HINT: Make sure your notebook is completely turned off by going to the Start -> Turn Off Computer menus prior to getting started.

Disconnect the power cord from the outlet and then from the back of the notebook. Disconnect all devices connected to the back of the notebook (e.g. any external devices, phone line, mouse, or monitor if applicable). Make sure the display is closed, and place the notebook upside down on a stable work surface.

Locate The Battery & Memory Compartments - Refer to Figure 1

On the bottom of the notebook locate the Battery pack and the Memory Compartment.



1	mini-PCI	4	battery
2	memory	5	battery release
3	hard drive	6	battery lock

Figure 1



NOTE: To prevent damage to the notebook, remove the battery pack before replacing any components. There is danger of an explosion if the battery is installed incorrectly. Follow Steps 1 and 2 below to remove the battery pack.

Remove The Battery Pack - Refer to Figure 2

Step 1: To remove an existing battery pack, slide the battery lock to the unlock position (1).

Step 2: Slide and release the battery release latch (2) the battery will pop up.

Step 3: Grasp the raised edge of the battery and lift it out of the battery compartment.(3)

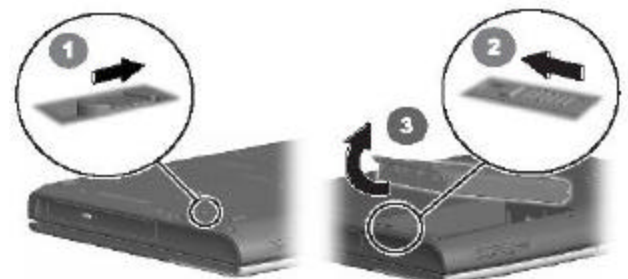


Figure 2

Remove The Existing Memory - Refer to Figure 3

Step 1: Locate and remove the memory compartment cover and screw.

Step 2: To remove an existing memory module, gently press outward on the retaining clips on both sides of the memory module (1) until the memory module is released and tilts upward. Then pull the memory module out of the slot. (2)

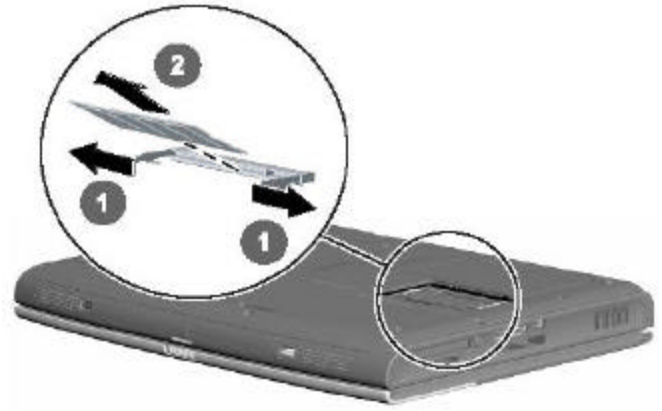


Figure 3

Install The New Memory - Refer to Figure 4

Step 1: To insert a new memory module, hold the memory module at a 45-degree angle and insert it into the empty memory slot until it snaps into place. If it does not snap into place the memory module may not be seated properly. (1)

NOTE: The memory module is keyed so that it can be inserted in only one direction. If the memory module does not slide in easily, verify that the notch on the memory module lines up with the tab in the memory slot.

Step 2: Gently press down on the memory module until the retaining clips click into place. (2) Replace the memory slot cover.

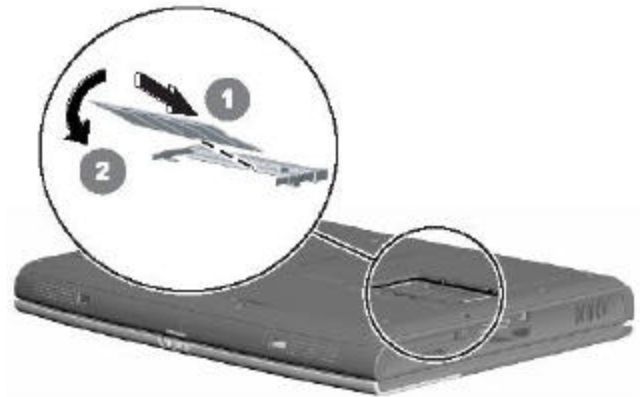


Figure 4

Replace The Battery Pack - Refer to Figure 5

NOTE: The battery pack is keyed so that it can be inserted in only one direction. If the battery does not slide in easily, verify that the connector end of the battery lines up with the connector in the battery compartment.

Step 1: Slide the connector end of the battery into position and then press down on the other end of the battery until it clicks into place. (1)

Step 2: After inserting the Battery Pack, slide the battery lock to Lock position. (2)

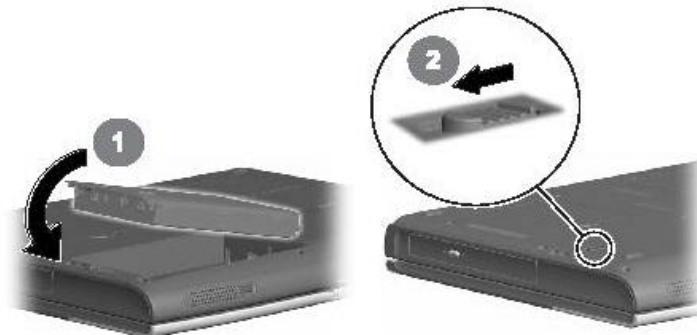


Figure 5