

**WARNING**

- The computer must be turned off and disconnected from its power source. Failure to disconnect the power from the computer may result in personal injury.
- Remove all loose articles and jewelry before touching components inside the computer.
- **The case contains sharp edges. Use caution.**
- Ground yourself by touching the metal frame every time you remove the cover. **If you are not properly grounded, you could generate static electricity that may cause a component to fail.**
- Make sure your hands are dry before performing this task.

*Tools Required:* Phillips Screwdriver

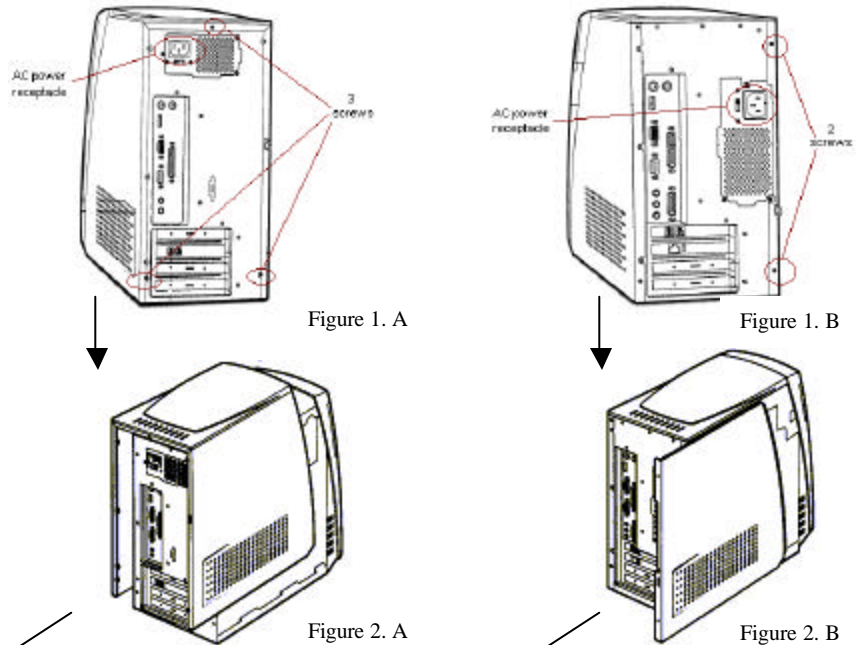
**HINT:** Note the location of all wires, cables, or connectors before disconnecting. These wires, cables, or connectors will need to be reconnected to either the same or new devices.

**Step 1:** Turn off your computer and all peripheral devices. Disconnect the power cord from the outlet and then from the back of the computer. Disconnect all devices connected to the back of the computer (e.g. keyboard, mouse, monitor). Place the computer on an appropriate work area (a flat-level surface).

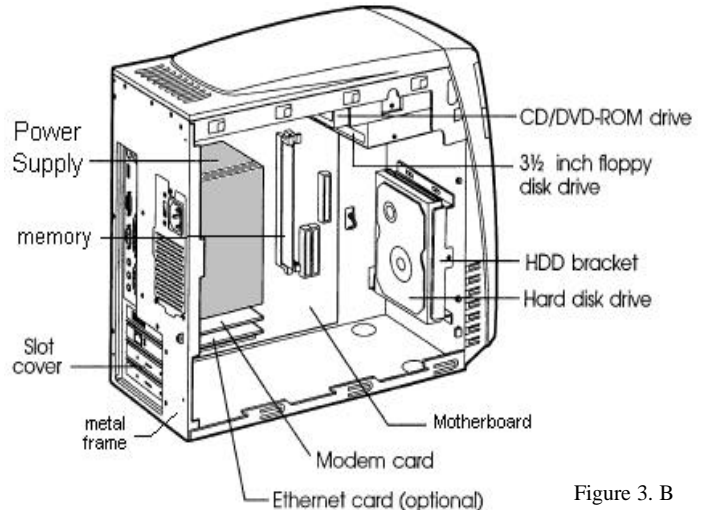
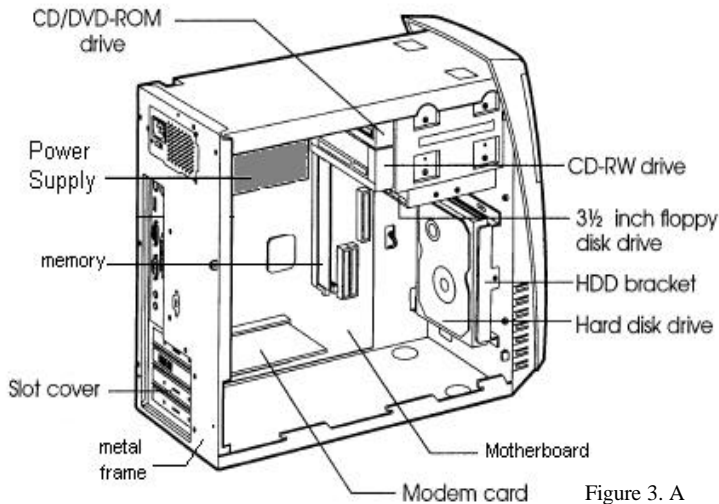
**Step 2:** From the diagrams (Figures 1.A and 1.B), determine your case by the location of the AC power receptacle and follow the appropriate figures (either A or B). Remove the screws indicated on the diagram. Do not lose the screws.

**Step 3:** Slide the cover toward the rear to free it from the system and lift it off until it can be removed completely (Figure 2.A or 2.B). CAUTION: The case contains sharp edges.

*\*\*Ground yourself by touching the metal frame every time you remove the cover. If you are not properly grounded, you could generate static electricity that may cause a component to fail.*



**INTERNAL COMPONENTS**

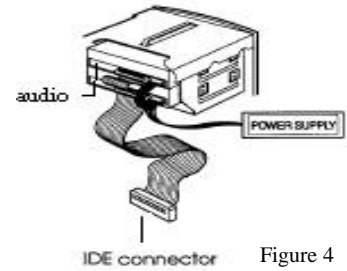


**Step 4:** Locate all optical devices (CD-ROM, DVD-ROM, or CDRW drive) on your computer. Locate the Hard disk drive and HDD bracket on your computer. Locate the 3½ inch floppy disk drive on your computer (Figures 3.A or 3.B).

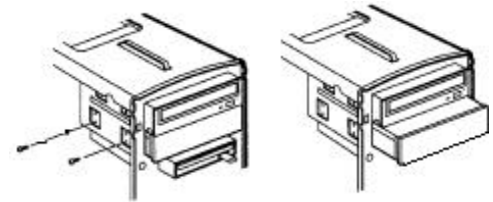
**Step 5:** For each optical device disconnect all connectors from back of each device (Figure 4):

- IDE connector
- power supply connector
- audio connector (if applicable)

Be sure to pull on the plastic connectors and not the wires when removing the connectors from the drive. Note the location of these connectors.



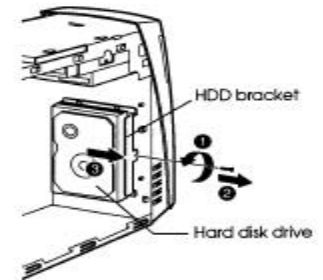
**Step 6:** Remove the two screws securing each optical device to the case and remove the device by pushing the back of the device forward (Figure 5). Do not lose the screws.



**Step 7:** Remove the one screw securing the HDD bracket to the computer and then slide the HDD bracket (Figure 6). You do not need to remove any cables connected to the HDD. Carefully move the HDD aside. Do not lose the screw.

Figure 5

**Step 8:** Detach cables from the computer case (Figure 7.A). Release the four tabs (Figure 7.B) and slowly pull the faceplate off. Carefully put the faceplate aside.



**Step 9:** Disconnect all cables/connectors from back of the floppy disk drive:

- IDE cable
- power supply connector

Note the location of these cables/connectors.

**Step 10:** Remove the screws securing the 3½ inch floppy disk drive to the case and carefully remove the drive by pushing the back of the drive forward (Figure 8). Do not lose the screws.

Figure 6

**Step 11:** Insert the new 3½ inch floppy disk drive and secure the drive to the case with the screws.

**Step 12:** Connect the cables/connectors to back of the 3½ inch floppy disk drive:

- IDE cable
- power supply connector

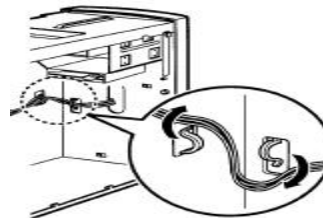


Figure 7.A

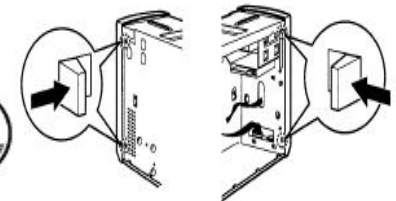


Figure 7.B

**Step 13:** Replace the faceplate. Make sure the four tabs are completely in (Figure 7.B).

**Step 14:** Replace the front panel connector cables to the case (Figure 7.A)

**Step 15:** Reattach the HDD to the computer case (Figure 6).

**Step 16:** Reinstall all optical devices previously removed in steps 5 and 6. Secure each device to the case.

**Step 17:** Slide the computer cover back into place so that the screw holes are properly aligned. Secure the cover to the case with the screws previously removed.

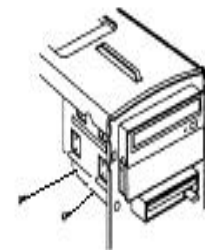


Figure 8

**Step 18:** Reconnect the computer's devices (e.g. keyboard, mouse, monitor, printer). Reconnect the power cord to the AC power receptacle. Plug the power cord to the outlet.

**Step 19:** Turn on the computer and make sure it is functioning properly. If it is not working properly, repeat the steps above and make sure all the connectors are inserted correctly. If a problem still persists, call our technical support line.

*If you need assistance with the installation of this part please call our technical support team at 801-401-1419 and follow the menu.*