

WARNING

- The computer must be turned off and disconnected from its power source. Failure to disconnect the power from the computer may result in personal injury.
- Remove all loose articles and jewelry before touching components inside the computer.
- **The case contains sharp edges. Use caution.**
- Ground yourself by touching the metal frame every time you remove the cover. **If you are not properly grounded, you could generate static electricity that may cause a component to fail.**
- Make sure your hands are dry before performing this task.

Tools Required: Phillips Screwdriver

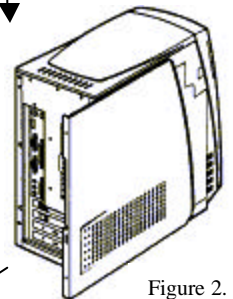
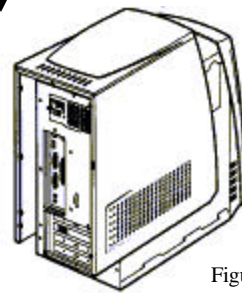
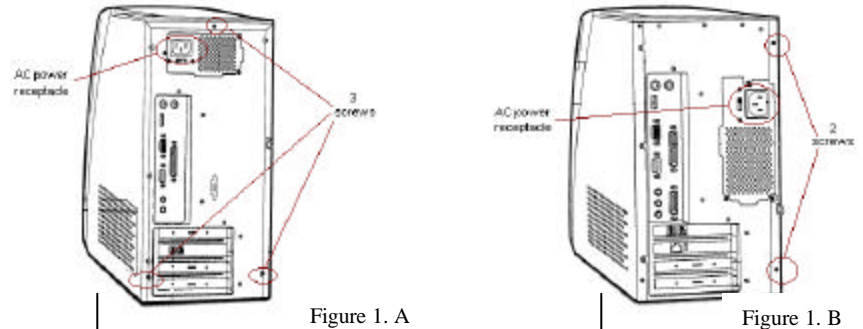
HINT: Note the location of all wires, cables, or connectors before disconnecting. These wires, cables, or connectors will need to be reconnected to either the same or new devices.

Step 1: Turn off your computer and all peripheral devices. Disconnect the power cord from the outlet and then from the back of the computer. Disconnect all devices connected to the back of the computer (e.g. keyboard, mouse, monitor). Place the computer on an appropriate work area (a flat-level surface).

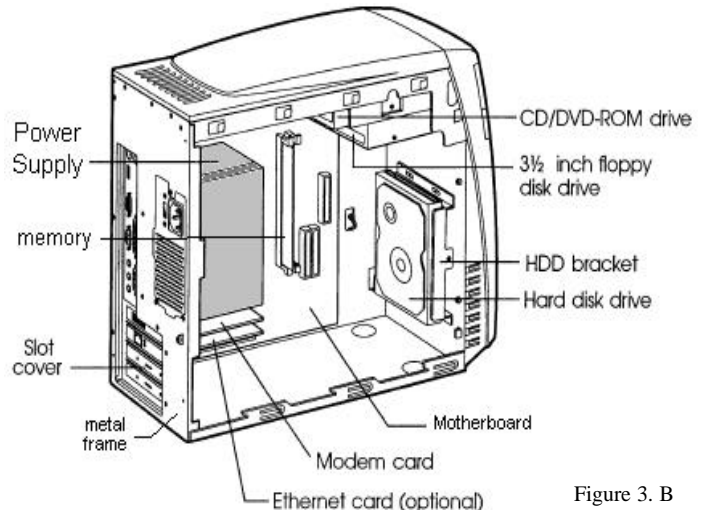
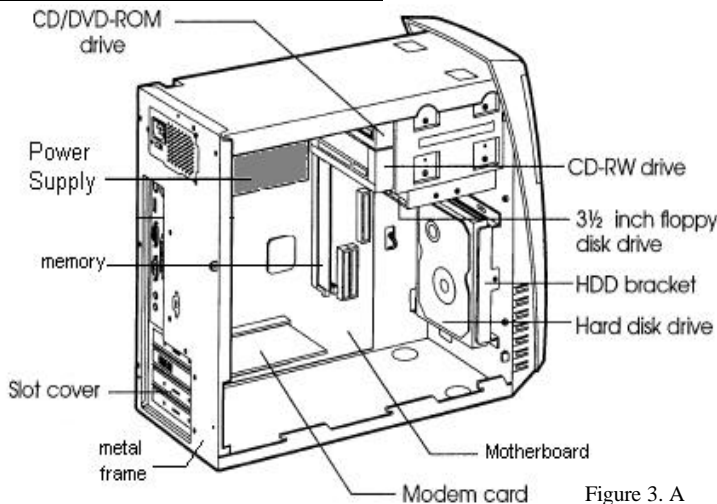
Step 2: From the diagrams (Figures 1.A and 1.B), determine your case by the location of the AC power receptacle and follow the appropriate figures (either A or B). Remove the screws indicated on the diagram. Do not lose the screws.

Step 3: Slide the cover toward the rear to free it from the system and lift it off until it can be removed completely (Figure 2.A or 2.B). CAUTION: The case contains sharp edges.

***Ground yourself by touching the metal frame every time you remove the cover. If you are not properly grounded, you could generate static electricity that may cause a component to fail.*



INTERNAL COMPONENTS



Step 4: Locate the modem card on your computer (Figures 3.A or 3.B).

Step 5: Remove the one screw that secures the modem card to the computer case (Figure 4). Remove the modem card from the slot. Do not lose the screw.

Hint: For ease, you can lay your computer on its side so that the motherboard is facing upwards.

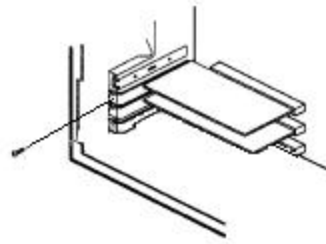


Figure 4

Step 6: Place the new modem card in the slot. Align the screw hole on the modem card with the screw hole on the computer case. Push in the modem card until the screw hole on the modem card is touching the screw hole on the computer case. Secure the modem card to the case with the one screw previously removed.

Step 7: Slide the computer cover back into place so that the screw holes are properly aligned. Secure the cover to the case with the screws previously removed.

Step 8: Reconnect the computer's devices (e.g. keyboard, mouse, monitor, printer). Reconnect the power cord to the AC power receptacle. Plug the power cord to the outlet.

Step 9: Turn on the computer and make sure it is functioning properly. If it is not working properly, repeat the steps above and make sure all the connectors are inserted correctly. If a problem still persists, call our technical support line.

If you need assistance with the installation of this part please call our technical support team at 801-401-1419 and follow the menu.