



WARNING

- The computer must be turned off and disconnected from its power source. Failure to disconnect the power from the computer may result in personal injury.
- Remove all loose articles and jewelry before touching components inside the computer.
- **The case contains sharp edges. Use caution.**
- Ground yourself by touching the metal frame every time you remove the cover. **If you are not properly grounded, you could generate static electricity that may cause a component to fail.**
- Make sure your hands are dry before performing this task.

Tools Required: Phillips Screwdriver, Flathead Screwdriver

HINT: Note the location of all wires, cables, or connectors before disconnecting. These wires, cables, or connectors will need to be reconnected to either the same or new devices.

Step 1: Turn off your computer and all peripheral devices. Disconnect the power cord from the outlet and then from the back of the computer. Disconnect all devices connected to the back of the computer (e.g. keyboard, mouse, monitor). Place the computer on an appropriate work area (a flat-level surface).

Step 2: Remove the screws indicated as shown in Figure 1.A. Do not lose the screws.

Step 3: Slide the cover toward the rear to free it from the system and lift it off until it can be removed completely (Figure 1.B). CAUTION: The case contains sharp edges.

****Ground yourself by touching the metal frame every time you remove the cover. If you are not properly grounded, you could generate static electricity that may cause a component to fail.**

INTERNAL COMPONENTS

Step 4: Locate the Hard Disk Drive you are replacing (Figures 1.C).

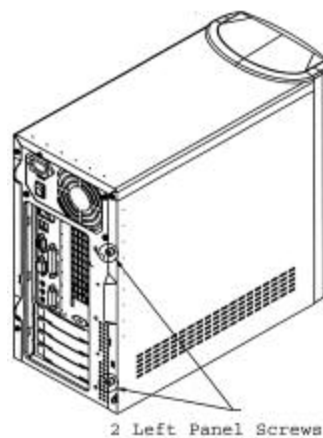


Figure 1.A

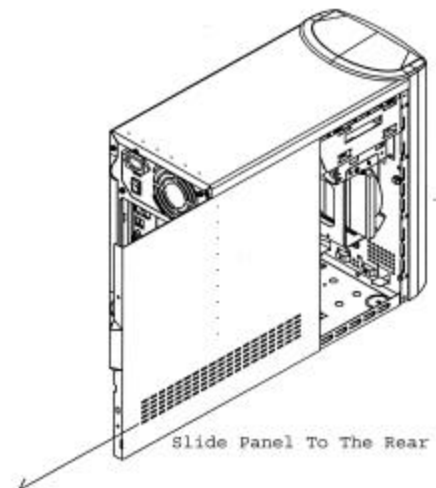


Figure 1.B

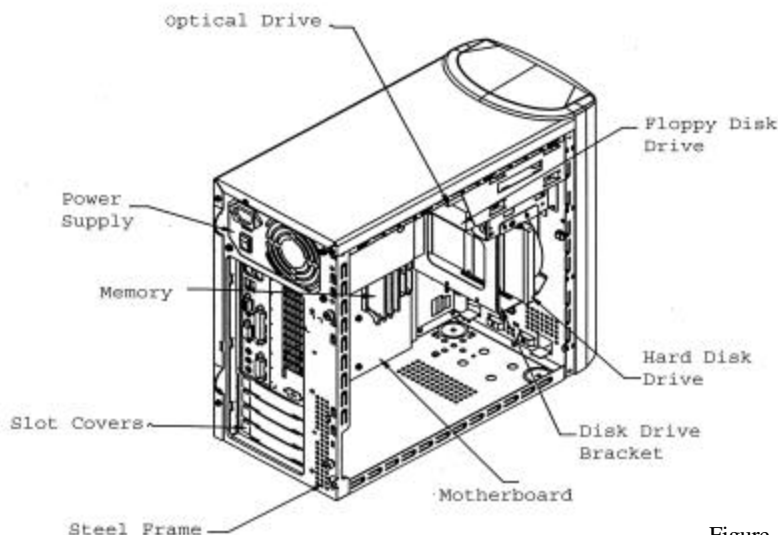


Figure 1.C

NOTE! The HDD bracket in your system may not be exactly as shown in figures 2-5

Step 5: Remove the 3 screws securing the HDD bracket to the computer, and then pull the HDD bracket out (Figure 2). Do not lose the screws.

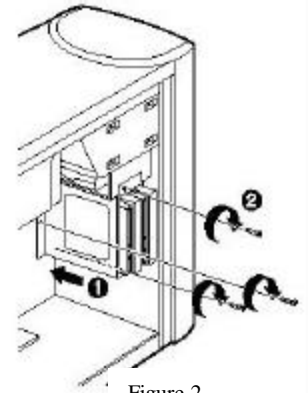


Figure 2

Step 6: Detach all connectors from the back of the hard disk drive: (1) IDE connector and (2) power supply connector. Be sure to pull on the plastic connectors and not the wires when removing the connectors from the hard disk drive. Remember the location of these cables.

Step 7: Remove the screws from the HDD bracket to the hard disk drive (Figure 3). Remember the position of the hard disk drive on the HDD bracket. Do not lose the screws.

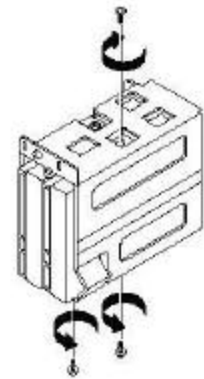


Figure 3

Step 8: Set the jumper of the new hard disk drive to CS - Cable Select (Figure 4) by referring to the label on the new hard disk drive. If necessary, use a flathead screwdriver to remove the jumper.

Step 9: Using the bracket screws from step 7, secure the new hard disk drive to the HDD bracket

Step 10: Using the screws from step 5, reconnect the HDD bracket to the chassis. Refer to Figure 2

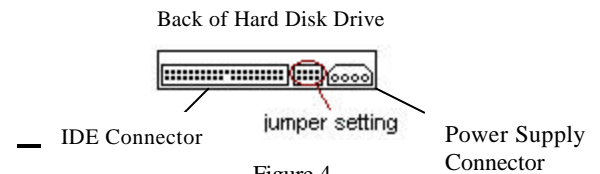


Figure 4

Step 11: Reconnect all connectors to the back of the new hard disk drive: (1) IDE connector and (2) power supply connector. (figure 4)

Step 12: Slide the computer cover back into place so that the screw holes are properly aligned. Secure the cover to the case with the screws previously removed in step 2

Step 13: Reconnect the computer's devices (e.g. keyboard, mouse, monitor, printer). Reconnect the power cord to the AC power receptacle. Plug the power cord to the outlet.

Step 14: Turn on the computer and make sure it is functioning properly. If it is not working properly, repeat the steps above and make sure all the connectors are inserted correctly. If a problem still persists, call our technical support line.

Step 15: Return the old hard disk drive with the box, shipping material, and the return label that is provided within ___ days.

If you need assistance with the installation of this part please call our technical support team at 801-401-1419 and follow the menu.